



K3TM

Dental
Chair

OSSTEM[®]
IMPLANT

K3 Dental Chair

Stylish, modern and ergonomic

The modern and stylish K3 Dental Chair will compliment any dental surgery whilst delivering comfort to dentist, patient and assistant.

Dentist

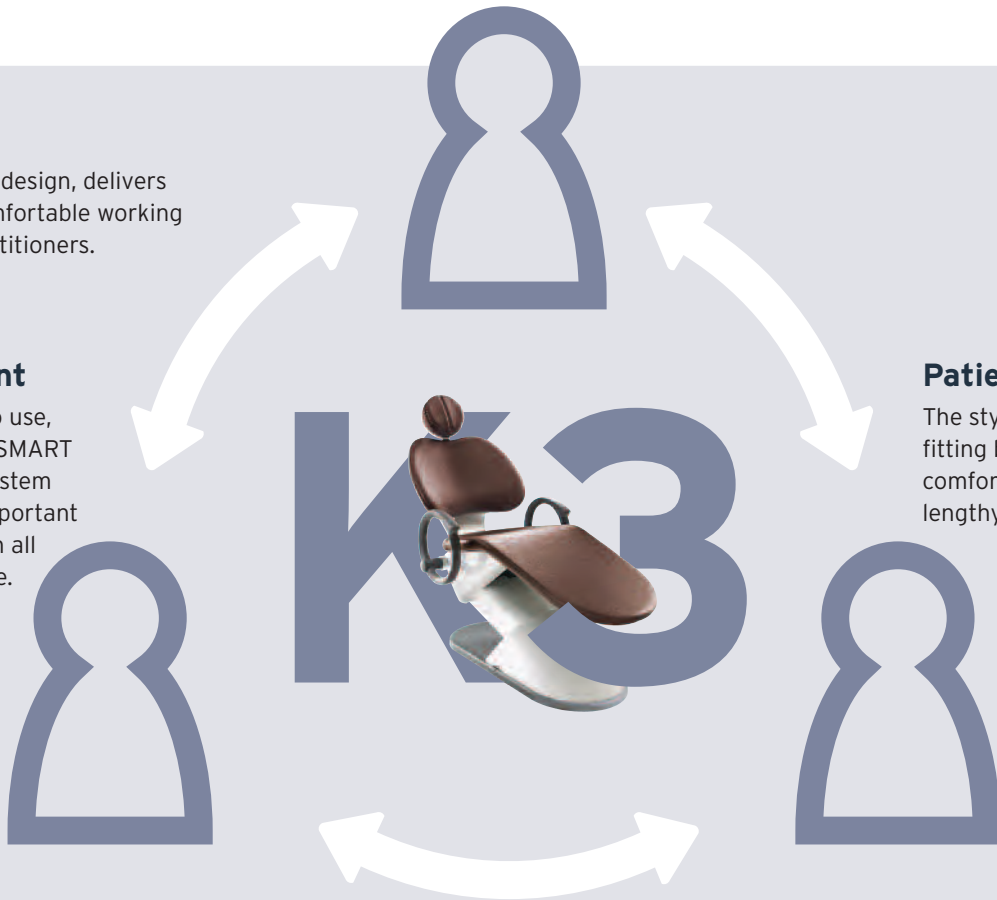
Ergonomic design, delivers a more comfortable working day to practitioners.

Assistant

The easy to use, accessible SMART Delivery System displays important information all in one place.

Patient

The stylish and wide fitting back provides comfort even during lengthy procedures.



Stylish and Sophisticated

The stylish design compliments any dental practice setting making for a pleasant patient experience.

Convenient and Accessible

The easy to reach SMART Delivery System provides all the necessary tools required by a clinician to deliver the best patient experience.

Wide Range of Options & Features

Available in a wide range of colour options, the K3 delivers high quality features as standard and several options to choose from.

Delivering Expectations

Our excellent customer service and technician teams will ensure a stress-free installation enabling you to treat your patients in a comfortable and calm setting.



K3 Dental Chair

In detail for Dentists

The simple and modern design of Osstem Implant's K3 Dental Chair provides supreme comfort to patients and dentists alike, with a high number of advanced features as standard.

SMART Delivery System

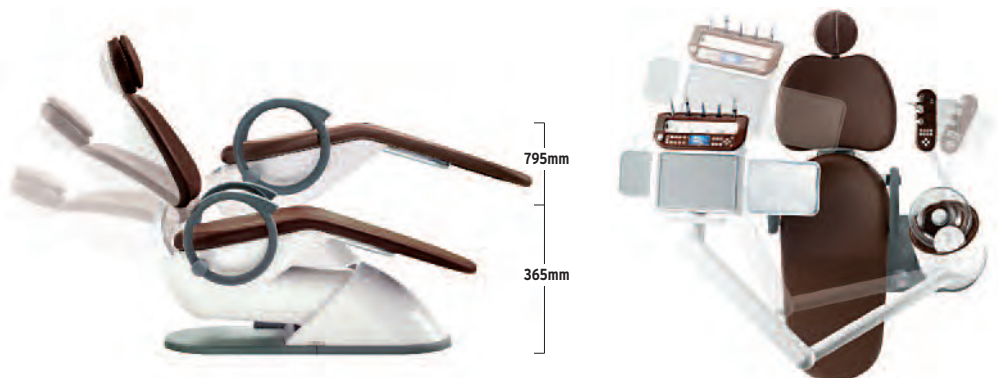
The K3's SMART Delivery System has an easy-to-view 4.3" colour LCD which displays important information all in one place. The spacious tabletop includes an instrument tray, mouse pad and chart (or tablet) holder all in easy reach of the clinician, providing all the necessary tools and information you require as a clinician to deliver the best patient experience.

The Instrument Tray has enough space for additional tools and instruments.



Optimised positioning during treatment

Providing comfort to both patient and clinician, the K3 chair can be adjusted to suit the needs of the clinician, staff and patient.





The Information Stand can hold most tablets or paper charts.

The Mouse Pad is an added convenience, reducing the need for the clinician to reposition to use a computer.

SMART Instrument Holder

The holder has been designed at an optimal angle to allow the hassle-free removal and return of instruments. LED lights indicate the instruments are in the proper resting position, reducing the risk of falling out of the holder and onto the floor.



Programmable Preset Speed

Three preset speeds ranging from 2,000rpm to 40,000rpm can be programmed according to the clinician's needs (when equipped with an electric motor).

Precise Scaler Control

The Scaler control knob allows the clinician to precisely dial in the appropriate power required.



Information Display

Detailed information about the chair's position, instrument selection and settings can all be seen on the easy to read LCD.



Cart type

Quick Fact

Intra-Oral Film Viewer

Intra-oral film can be viewed by a simple push of a button. By activating the Film Viewer function, the LCD panel turns bright white allowing the clinician to view film on the spot without having to turn away to look at the light box.



K3 Dental Chair

In detail for Assistants

The controls and accessories for Assistants have been specifically designed with user convenience in mind. Designed to help Assistants reduce work steps and improve promptness, the K3 Dental Chair enables them to fulfil the needs of clinicians and patients with ease and efficiency.

Assistant Table

The Assistant table has been designed to provide ample space, allowing the most effective arrangement of tools. The swivel feature allows the table to be adjusted for comfort and accessibility and can also be re-positioned during treatment; maximising convenience and efficiency whilst ensuring the flow of treatment is not disrupted.



Operation Panel

The straightforward operation panel allows the Assistant to quickly and easily control the manual positioning of the chair, as well as operating the spittoon container and lights.



Unit & Glass Spittoon

The unit's ergonomic, tube-shaped design curves towards the patient for their ease and convenience, with a large glass spittoon making the patient experience as comfortable as possible and cleaning much easier.



USB Port

The built-in USB port enables easy connectivity to other devices.

Adjustable water supply & switch for hot water

The water supply system can be easily adjusted and features a dual sensor, allowing you to control the volume of water to be supplied. The water supply and drain controls can be found conveniently positioned for the Assistant on the front side of the unit, along with the hot water switch.





Quick Fact

Easy to Clean: The glass spittoon, suction filter and one-touch detachable water feed tips have all been designed for easy cleaning, to ensure quick and easy infection control.

Rotating, double-jointed table arm

The user-friendly design of the table arm allows for easy adjustment, ensuring the best use of space as well as the most convenient and efficient positioning of equipment.



Suction filter and side rack

The easily washable suction filter makes cleaning and maintenance quick and easy. The detachable side rack can hold various tools during treatment for added convenience.



K3 Dental Chair

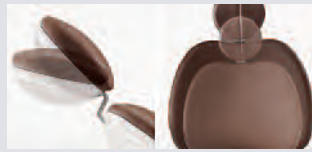
In detail for Patients



Combining an ergonomic design with a high-performance hydraulic motor, this chair unit makes treatment sessions more comfortable and relaxing for patients, whilst maintaining control and visibility for the dentist.

Ergonomic Design

Designed with maximum patient comfort in mind, the K3 chair features wide seat and back supports, with easy to adjust head and arm rests; enabling the most comfortable position to be achieved for the patient. For added patient well-being, the high-performance hydraulic motor is positioned in the unit, which is separated from the chair and fixed to the ground, minimising shaking during chair adjustment.



Head Rest and Back Rest

One hand adjustable head rest provides the proper support to the head and neck at any angle. The oversized back rest provides support for all body types, allowing patients to feel comfortable even during lengthy procedures.



Quiet & Smooth Operation

The K3 chair's movement is powered by a high performance hydraulic motor. This motor is affixed to the floor, reducing noise and vibration.

Arm Rest

The K3's unique circular arm is robust and comfortable, making patients feel secure in both the sitting and resting positions. The arm rest quickly and easily moves up and down allowing patients to move in and out of the chair.



Light & Accessories

The functional and stylish light and accessories add the final touches to the K3 Chair.

LED Dental Light

The LED lamp supplies 6 different levels of brightness and the unique reflector provides shadowless light. A special filter removes the blue wavelength, which can affect the hardening of resins.



Natural white light Yellow light

Features:	Benefits:
Long life LED lamp	Can last for more than 30,000 hours and up to 15 years.
No infra-red emissions	Reduces the heat which can be uncomfortable to both the patient and clinician.
CCT 5000K	The K3's LED lamp supplies bright and clear light. Colour temperature is around 5,000K which is optimal for illuminating the oral cavity.
CRI > 90.0	The K3's LED lamp's Colour Rendering Index (CRI) is greater than 90. CRI affects how colours are seen, the higher the rating, the greater the colour matching.
Blue cut-off.	The specialised filter removes blue wavelength light, which negatively affects a resin's ability to harden

Accessories

Choose from a variety of accessories to enhance your K3 Dental Chair:

Foot Controller

A joy stick-like foot controller allows the clinician to control every aspect of the chair and unit without lifting a finger.



Clinician's Stool

Stable, safe and comfortable, this stool is designed to provide support and reduce fatigue.

All-in-one Patient Convenience Centre

Features a paper cup dispenser, tissue box tray and personal effects tray.



Monitor Arm

Triple joints position the monitor at any angle for stress-free viewing.



K3 Dental Chair

Colour Options

The K3 Dental Chair is available in a wide range of colourful options guaranteed to match any clinic interior.



Red



Orange



Ivory



Light Green



Light Blue



Light Violet



Due to printing limitations, the colours shown may differ from those of the actual product.

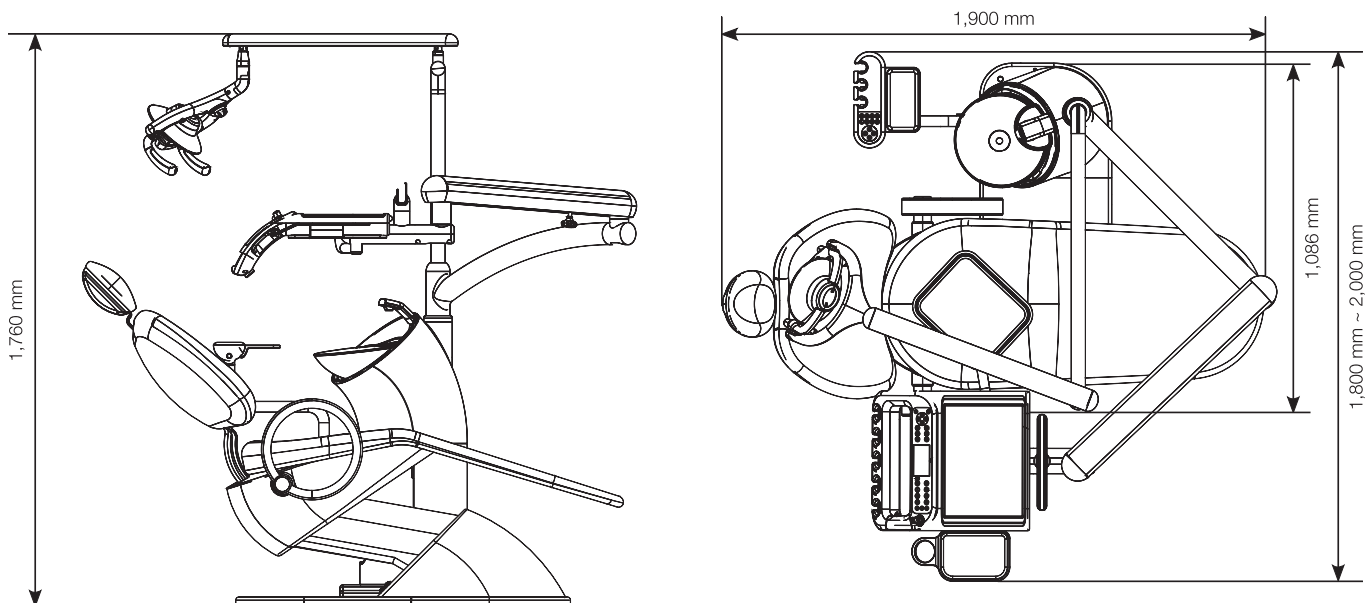
Specification

The K3 delivers high quality features as standard and a number of options to choose from.

	Standard Features	Optional Features
Table Type	Mount or Cart type (select 1)	
Highspeed Handpiece	Osstem H31 OL & CL 2set (20W, LED-Optic, 4hole-spray)	Osstem H51 OL & CL (16W, LED-Optic, 4hole-spray, Mini head)
Low speed Motor	Osstem AE (air mode, external water supply)	Electric motor (Brushless, internal water supply, LED-Optic)
Low speed Contra-angle	Osstem A200E (Push-button, external water supply)	
Low speed Straight	Osstem A400E (external water supply)	
Ultrasonic Scaler	Osstem S3 BIK (made by EMS)	DIT SONICbuff 300 DIT SONICbuff 300L (LED)
Stool	Clinician's Stool	Assistant's Stool
Other devices:	3-Way syringe 2 set Vacuum syringe 1 set Saliva ejector 1 set	

*Standard and optional features subject to change depending on the company's policy

Dimensions



Osstem is the South Korean Dental Company established in over 85 countries under the Osstem and HiOssen brands. Osstem's significant R&D investments and cutting-edge technologies are helping it to grow globally through innovation that is setting the standard in implant dentistry.

Committed to providing the best customer service, high quality education programmes and new product innovations to our dental professionals, we are committed to Achieving More Together.

HIOSSEN
From Osstem

OSSTEM[®]
IMPLANT